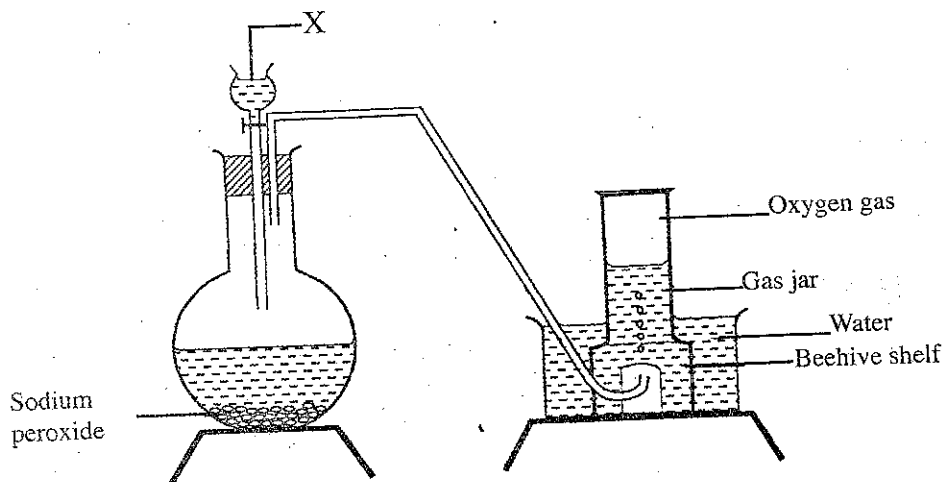


CHEMISTRY PAPER 1

1. The set up below can be used to prepare oxygen gas. Study it and answer the questions that



(a) Identify X. (1 mark)

.....

(b) What property of oxygen makes it possible for it to be collected as shown in the above set up? (1 mark)

.....

(c) State two uses of oxygen. (1 mark)

.....
.....

2. Write equations to show the effect of heat on each of the following

(a) sodium hydrogen carbonate; (1 mark)

.....
.....

(b) silver nitrate (1 mark)

.....
.....

(c) anhydrous iron (II) sulphate. (1 mark)

.....
.....

3. Describe an experimental procedure that can be used to extract oil from nut seeds. (2 mks)

.....
.....
.....
.....

4. In terms of structure and bonding, explain the following observations:

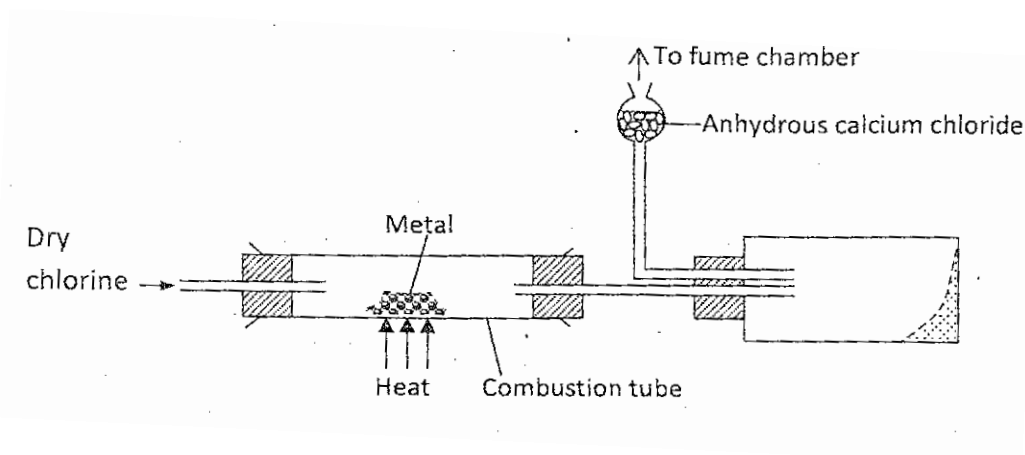
(a) The melting point of aluminium is higher than that of sodium: (1½mks)

.....
.....

(b) melting point of chlorine is lower than that of sulphur (1½mks)

.....
.....

5. The diagram below illustrates a method of preparing salts by direct synthesis.



(a) method can be used to prepare either aluminium chloride or iron (III) chloride. Explain why it cannot be used to prepare sodium chloride. (1 mark)

.....

(b) Describe how a sample of sodium chloride can be prepared in the laboratory by direct synthesis. (2 marks)

.....

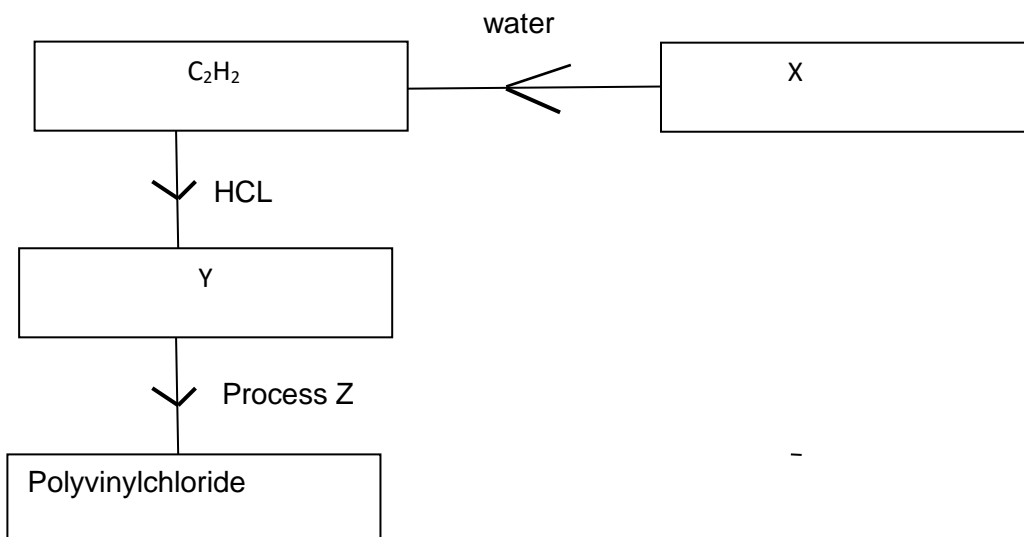
6. (a) A student electroplated a spoon with copper metal. Write an equation for the process that took place at the cathode. (1 mark)

.....

(b) Calculate the time in minutes required to deposit 1,184g of copper if a current of 2 amperes was used. (1 Faraday = 96500 coulombs, Cu - 63.5). (2 marks)

.....

7. Study the flow chart below and answer the questions that follow:



(a) Identify:

(i) X (1 mark)

.....

(ii) Y (1 mark)

.....

(b) State two uses of polyvinylchloride. (1 mark)

8. Draw a labelled diagram to illustrate how alpha, beta and gamma radiations can be distinguished from each other. (3 marks)

9. Aqueous of hydrogen chloride reacts with potassium manganate (VII) to produce chlorine gas. Enzyme has no effect on potassium manganate (VII). Explain this observation. (2 marks)

.....
.....
.....
.....

10. The table below gives the solubilities of substances T and U at 10°C and 40°C.

substance	Solubility g/100g water	
	10(°C)	40(°C)
T	40	65
U	15	17

When an aqueous mixture containing 55g of T and 12g of U at 80°C was cooled to 10°C, crystals formed.

(a) Identify the crystals formed. (1 mark)

.....

(b) Determine the mass of the crystals formed. (1 mark)

.....

(c) Name the method used to obtain the crystals. (1 mark)

.....

11 Hydrazine gas, $\left(\begin{array}{c} \text{H} \\ \diagdown \\ \text{N} \\ \diagup \\ \text{H} \end{array} \right) - \left(\begin{array}{c} \text{H} \\ \diagdown \\ \text{N} \\ \diagup \\ \text{H} \end{array} \right)$ burns in oxygen to form nitrogen gas and steam.

(a) Write an equation for the reaction.

.....

(b) Using the bond energies given below, calculate the enthalpy change for the reaction in (a) above.

Bond	Bond energy (kj per mole)
N \equiv	944
N-N	163
N-H	388
O=O	496
H-O	463

.....

12. (a) What would be observed if sulphur (IV) oxide is bubbled through acidified potassium manganate (VII)? (1 mark)

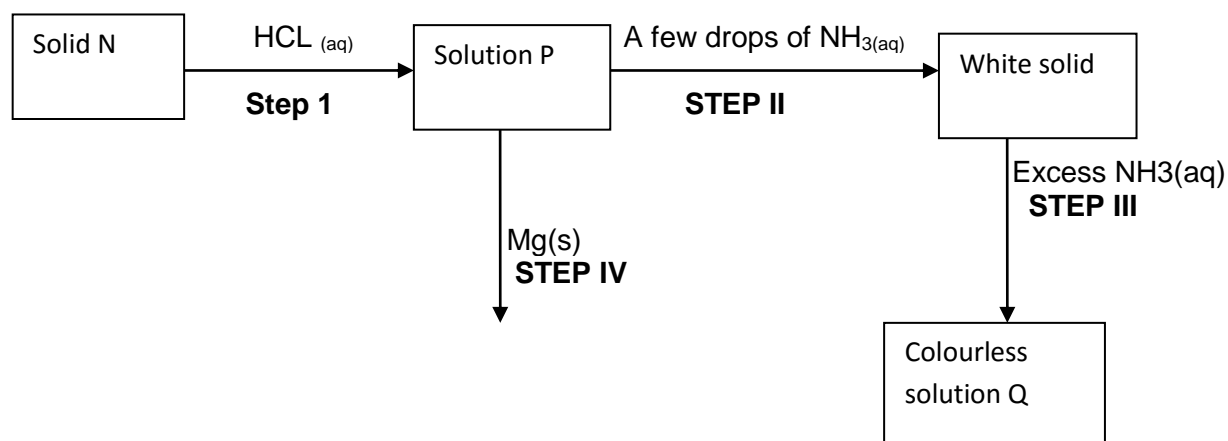
.....

(b) In an experiment sulphur (IV) oxide was dissolved in water to form solution L.

(i) What would be observed if a few drops of barium nitrate were immediately added to solution L? (1 mark)

(ii) Write an ionic equation for the reaction that occurred between aqueous barium nitrate in (b)(i) above. (1 mark)

13. The scheme below shows some reaction sequence starting with solid N. Study it and answer the questions that follow.



[a] Write the formula of the complex ion in solution Q. (1 mark)

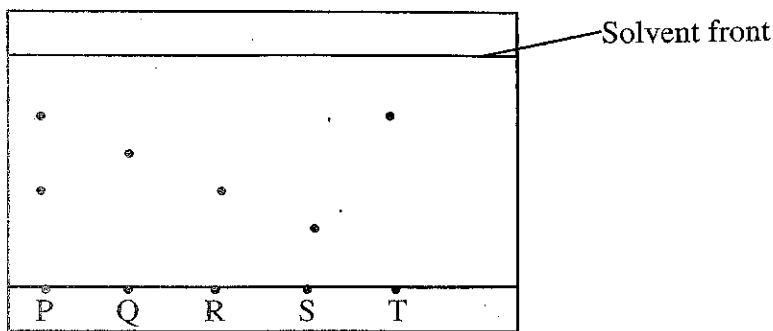
(b) Write an equation for the reaction in step IV. (1 mark)

14. (a) State the Charles'law. (1 mark)

(b) A certain mass of gas occupies 146 dm³ at 291 K and 98.31 kPa.

What will be its temperature if its volume is reduced to 133 dm³ at 101.325 kPa? (2 marks)

15. The chromatogram below was obtained from a contaminated food sample P. Contaminants R, S and T are suspected to be in P. Use it to answer the following questions.



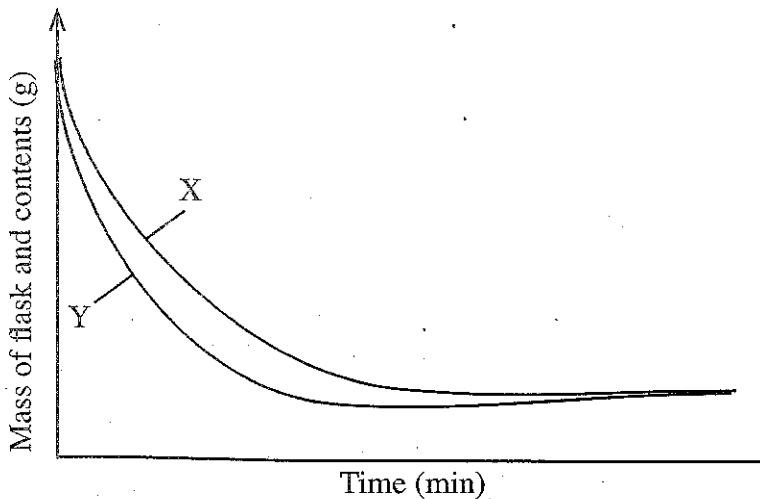
(a) Identify the contaminants in mixture P. (1 mark)

.....

(b) Which is the most soluble contaminant in P? (1 mark)

.....

16. The curves below represent the change in mass when equal masses of powdered zinc and zinc granules were reacted with excess 2M hydrochloric acid. Study them and answer the question Below



Which curve represents the reaction with zinc granules? Explain your answer. (3 marks)

.....
.....

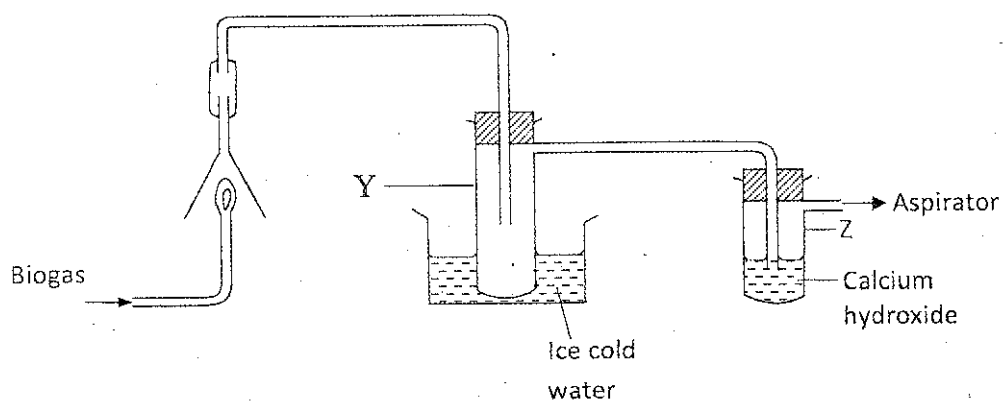
17. When fuels burn in the internal combustion engine at high temperature, one of the products formed is nitrogen(II) oxide.

(a) Write the equation for the formation of nitrogen(II) oxide. (1 mark)

(b) Give a reason why nitrogen(II) oxide is not formed at room temperature. (1 mark)

(c) Describe how formation of nitrogen (II) oxide in the internal combustion engine leads to gaseous pollution. (1 mark)

18. The set-up below was used to investigate the products of burning biogas (methane), and answer the questions that follow.



(a) What product will be formed in test-tube Y? (1 mark)

.....

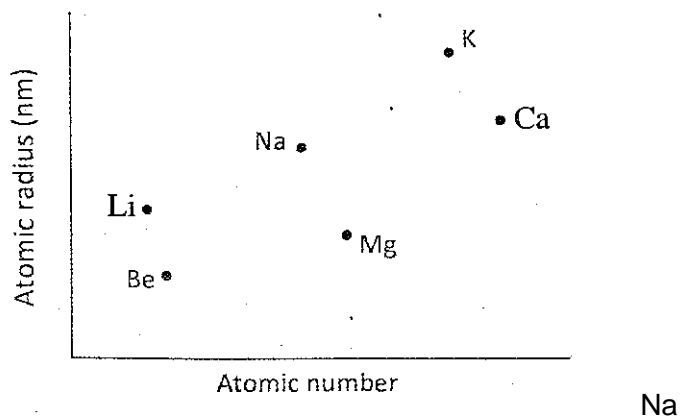
.....

(b) State and explain the observations which would be made in Z. (2 marks)

19. (a) Diamond and graphite are allotropes of carbon. What is meant by an allotrope? (1 mark)

(b) Explain way graphite can be used as a lubricant while diamond cannot. (2 marks)

20. The plots below were obtained when the atomic radii of some elements in groups I and II were plotted against atomic numbers.



Explain:

(a) the trend shown by Li, Na and K.

(1 mark)

(b) why the atomic radii of elements Be, Mg and Ca are lower than those of Li, Na and K. (2 marks)

.....
.....
.....

21. On heating a pale green solid K, carbon (IV) oxide gas and a black solid M were formed. On reacting K with dilute hydrochloric acid, carbon (IV) oxide gas and a green solution S were formed. When excess aqueous ammonia was added to solution S, a deep blue solution was formed.

(a) Identify the cation in solid K. (1 mark)

.....
.....

(b) Identify the two anions in solution S. (2 marks)

22. (a) Name **two** ores from which copper is extracted. (1 mark)

.....

(b) During extraction of copper metal, the ore is subjected to froth flotation. Give a reason why this process is necessary. (1 mark)

(c) Name **one** alloy of copper and state its use. (1 mark)

Alloy

Use

23. When 15cm³ of a gaseous hydrocarbon, P, was burnt in 100cm³ of oxygen, the resulting gaseous mixture occupied 70cm³ at room temperature and pressure. When the gaseous mixture was passed through potassium hydroxide solution, its volume decreased to 25cm³.

(a) What volume of oxygen was used during the reaction? (1 mark)

(b) Determine the molecular formula of the hydrocarbon. (2 marks)

24. A solution was made by dissolving 8.2g of calcium nitrate to give 2 litres of solution. (Ca = 40.0; N = 14.0; O = 16.0).

Determine the concentration of nitrate ions in moles per litre. (3 marks)

.....
.....
.....

25. State and explain what would happen if a dry red litmus paper was dropped in a gas jar of dry chlorine. (2 marks)

.....
.....

26. By using aqueous sodium chloride, describe how a student can distinguish calcium ions from lead ions. (2 marks)

.....
.....

27. A student investigated a property of acids M and N by reacting equal volumes of acid M and N of the same concentration with equal volumes of 2M potassium hydroxide. The results were recorded in the table below.

Acid	Rise in temperature (ΔT) K
M	4
N	2

- (a) Which of the acids is likely to be a weak acid? Explain. (2 marks)

.....

- (b) Write the equation for the reaction between ethanoic acid and potassium hydroxide (1 mark)

.....

28. A student investigated the effect of an electric current by passing it through some substances. The student used inert electrodes, and connected a bulb to the circuit. The table below shows the substances used and their states.

EXPERIMENT	Substance	State
1	Potassium Carbonate	Solid
2	Copper (II) sulphate	Solution
3	Sugar	Solution
4	Lead (II) iodide	Molten

(a) In which experiments did the bulb not light? (1 mark)

(b) Explain your answer in (a) above. (2 marks)

29. A sample of hydrogen gas was found to be a mixture of two isotopes, ${}^1_1\text{H}$ and ${}^2_1\text{H}$.

Determine the relative molecular masses of the molecules formed, when each of these isotopes is burnt in oxygen. (O = 16,0) (2 marks)

${}^1_1\text{H}$

.....

${}^2_1\text{H}$

.....

KCSE CHEMISTRY PAPER 2

1.

- (a) The grid given below represents part of the periodic table. Study it and answer the questions that follow. The letters do not represent the actual symbols of elements.

M			N	P	T		
R							

- (i) Select a letter which represents an element that loses electrons most readily. Give a reason for your answer. (2 marks)
- (ii) Explain why the atomic radius of P is found to be smaller than that of N. (2 marks)
- (iii) Element M reacts with water at room temperature to produce 0.2 dm³ of gas. Determine the mass of M which was reacted with water. (Molar gas volume at room temperature is 24 dm³, Relative atomic mass of M = 7). (3 marks)

- (b) Use the information in the table below to answer the questions that follow. (The letters are not the symbols of the elements)

Element	State of oxide at room temperature	Type of oxide	Bonding in oxide
U	Solid	Acidic	Covalent
w	Solid	Basic	Ionic
X	Liquid	Neutral	Covalent
Y	Gas	Neutral	Covalent

Identify a letter which represents an element in the table that could be calcium, carbon or sulphur. Give a reason in each case.

- (i) Calcium;(2 marks)
Reason

(ii) Carbon; (2 marks)
Reason

(iii) Sulphur: (2 marks)
Reason.....

2. (a) (i) What is meant by the term 'Enthalpy of formation'? (1 mark)

(ii) The enthalpies of combustion of carbon, methane and hydrogen are indicated below:



Enthalpy of combustion of $\text{CH}_4 = -890 \text{ kJ mol}^{-1}$

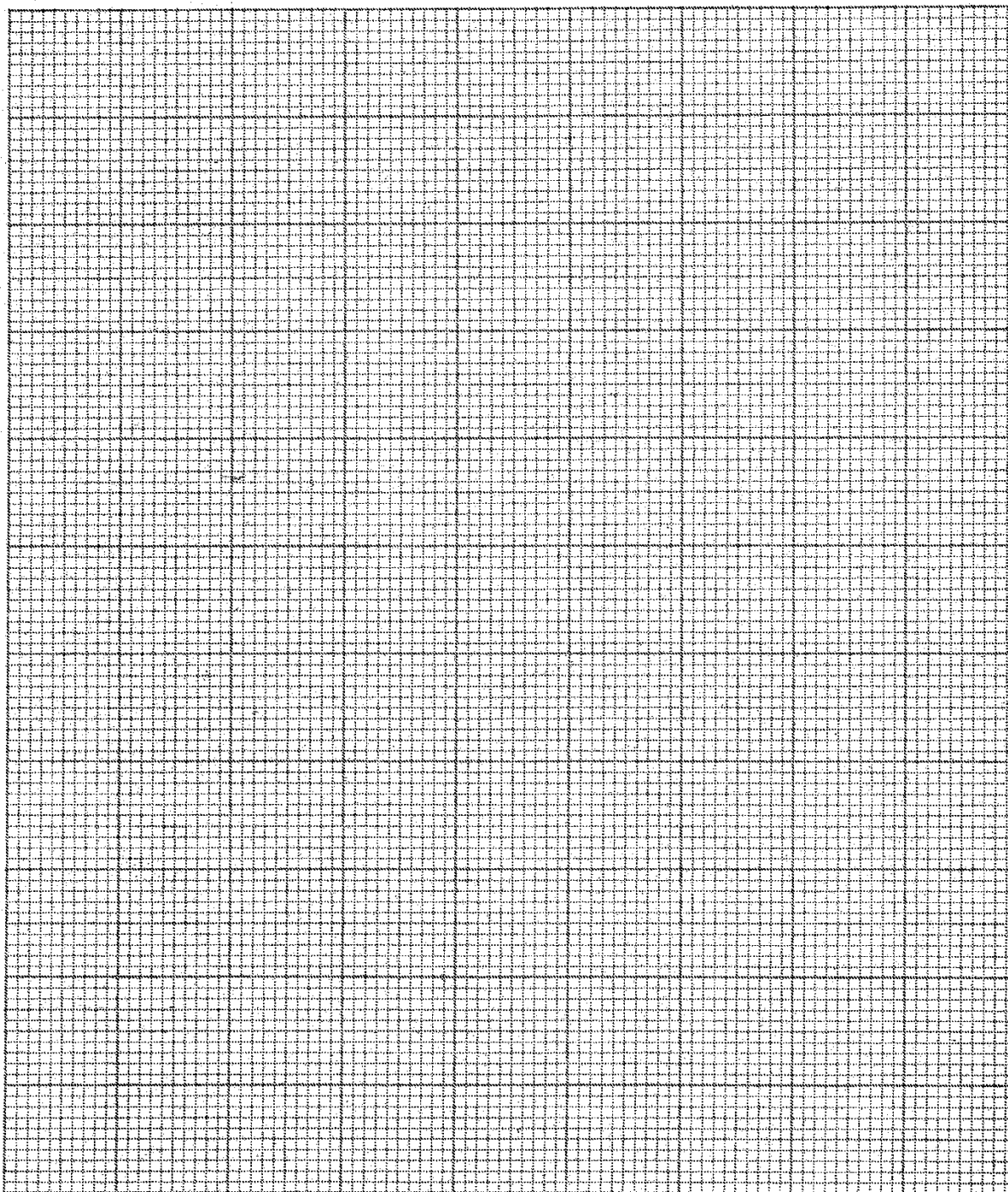
I Draw an energy cycle diagram that links the enthalpy of formation of methane to enthalpies of combustion of carbon, hydrogen and methane. (2 marks)

II Determine the enthalpy of formation of methane. (2 marks)

(b) An experiment was carried out where different volumes of dilute hydrochloric acid and aqueous sodium hydroxide both at 25°C were mixed and stirred with a thermometer. The highest temperature reached by each mixture was recorded in the table below:

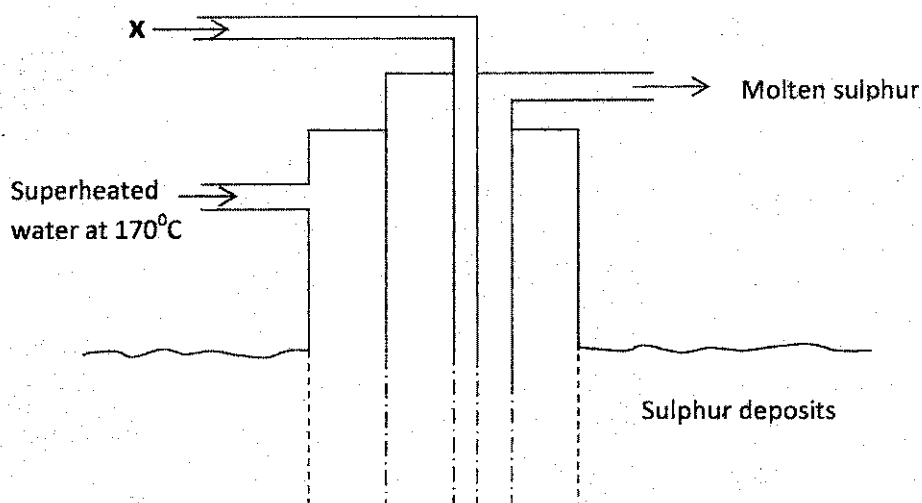
Volume of hydrochloric acid (cm^3)	5	10	15	20	25	30	35	40	45
Volume of sodium hydroxide (cm^3)	45	40	35	30	25	20	15	10	5
Highest temperature of mixture ($^\circ\text{C}$)	27.2	29.4	31.6	33.8	33.6	31.8	30.0	28.4	26.6

- (i) On the grid provided, plot a graph of highest temperature (vertical axis) against volume of hydrochloric acid (horizontal axis). (3 marks)

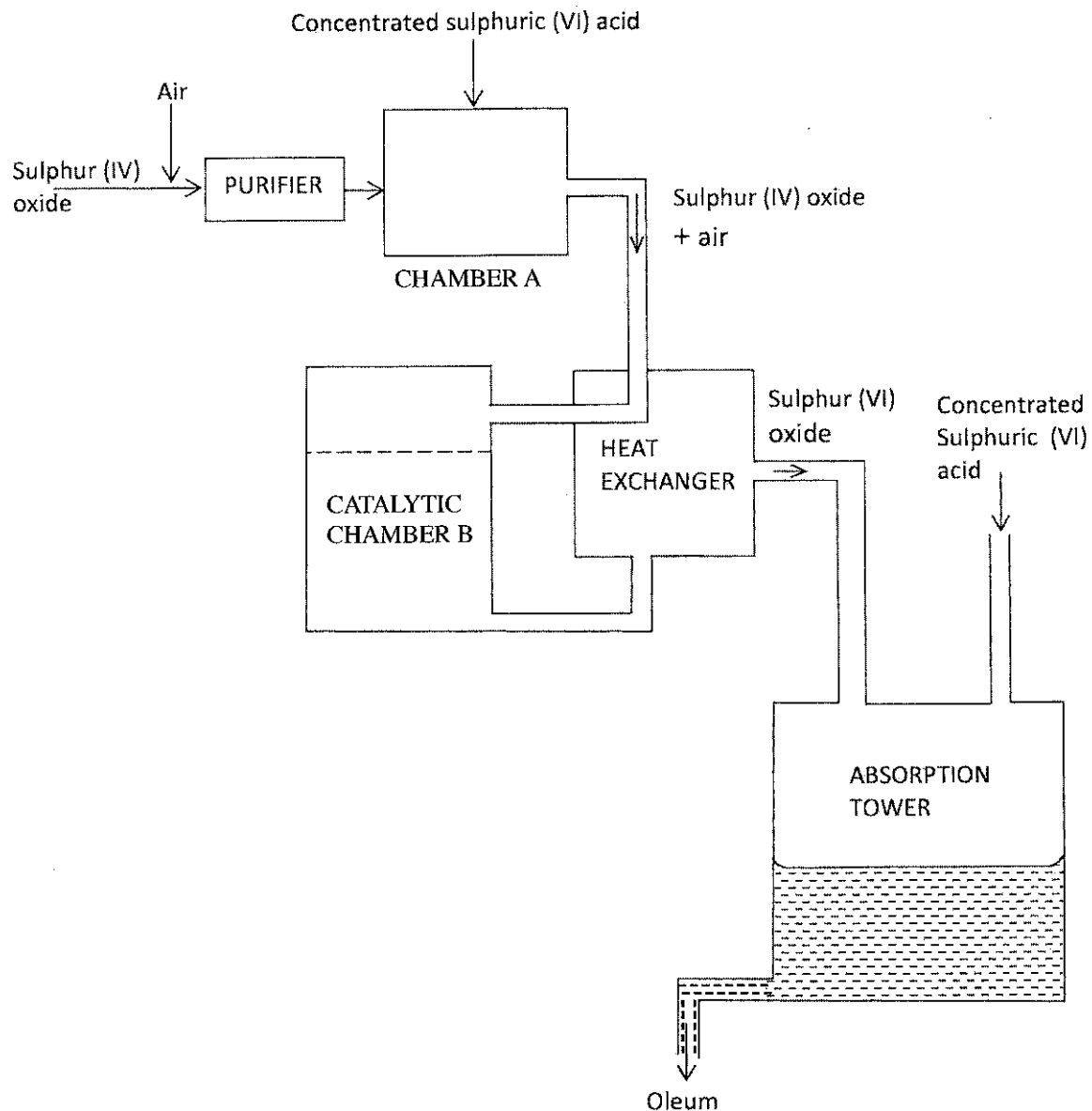


- (ii) Using your graph, determine the:
- I highest temperature reached; (1/2 mark)
 - II volume of acid and base reacting when highest temperature is reached; (4 mark)
- (iii) Calculate the amount of heat liberated during the neutralisation process. (Specific heat capacity is $4.2 \text{ J g}^{-1}\text{K}^{-1}$ and the density of solutions is 1.0 g cm^3). (2 marks)
- (c) The molar enthalpy of neutralisation between hydrochloric acid and ammonia solution was found to be $-52.2 \text{ kJ mol}^{-1}$, while that of hydrochloric acid and sodium hydroxide was $-57.1 \text{ kJ mol}^{-1}$. Explain the difference in these values. (2 marks)

3. (a) The diagram below shows the Frasch process used for extraction of sulphur. Use it to answer the questions that follow.



- (i) Identify X. (1 mark)
- (ii) Why is it necessary to use super heated water in this process? (1 mark)
- (iii) State **two** physical properties of sulphur that makes it possible for it to be extracted by this method. (2 marks)
- (b) The diagram below shows part of the processes in the manufacture of sulphuric (VI) acid. Study it and answer the questions that follow.



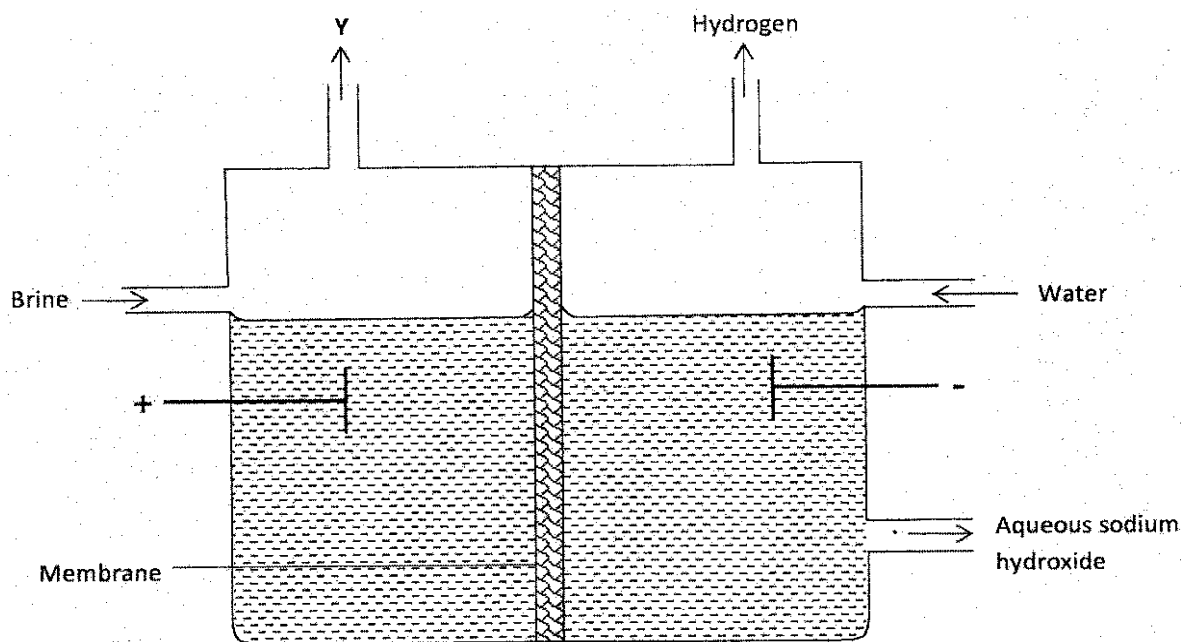
- (i) Write an equation for the formation of sulphur (IV) oxide from sulphur. (1 mark)
- (ii) What is the role of concentrated sulphuric (VI) acid in chamber A? (1 mark)
- (iii) Name **two** catalysts that can be used in the catalytic chamber B. (2 marks)

(iv) State two roles of the heat exchanger. (2 marks)

(c) Explain **one** way in which sulphur (IV) oxide is a pollutant. (1 mark)

(d) What observation will be made when a few drops of concentrated sulphuric (VI) acid are added to crystals of sugar? Explain your answer (1 mark)

4 (a) The set up below can be used to produce sodium hydroxide by electrolysis of brine.



(i) Identify gas Y. (1 mark)

(ii) Describe how aqueous sodium hydroxide is formed in the above set-up. (2 marks):

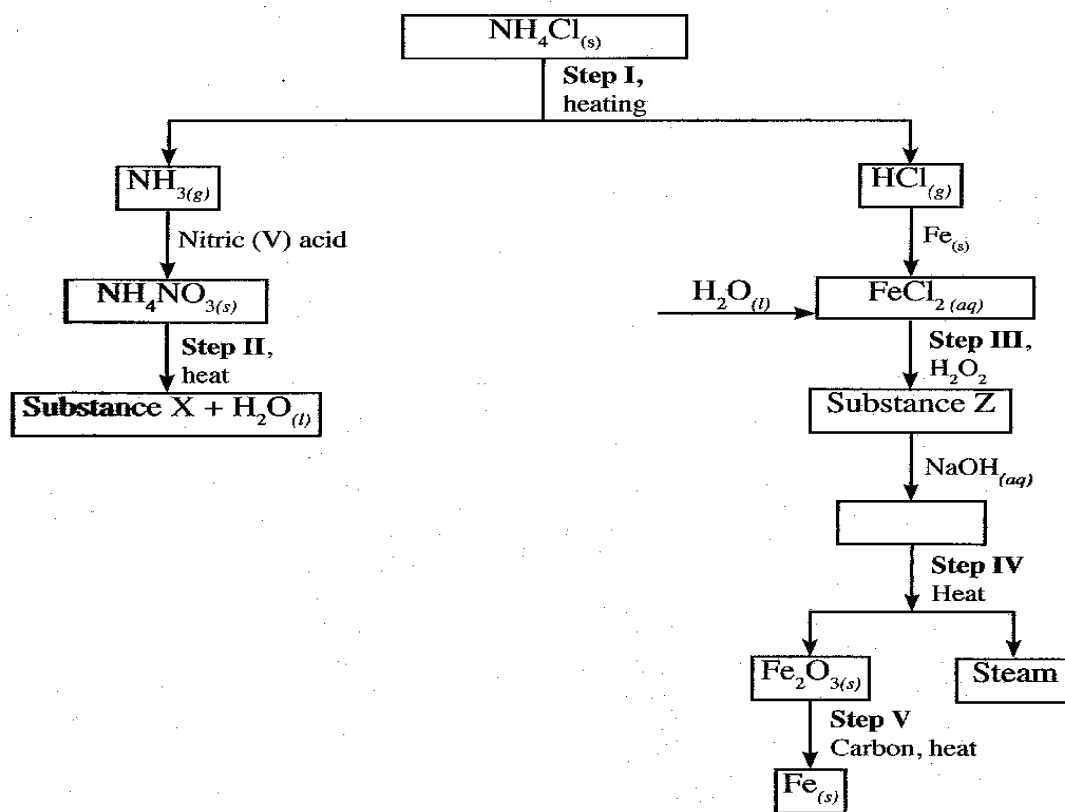
(iii) One of the uses of sodium hydroxide is in the manufacturing of soaps. State one other use of sodium hydroxide. (1 mark).

(b) Study the information given in the table below and answer the questions that follow.

Half reactions	Electrode potential E^θ/V
$D_{(aq)}^{2+} + 2e \longrightarrow D_{(s)}$	-0.13
$E_{(aq)}^+ + e \longrightarrow E_{(s)}$	+0.80
$F_{(aq)}^{3+} + e \longrightarrow F_{(aq)}^{2+}$	+0.68
$G_{(aq)}^{2+} + 2e \longrightarrow G_{(s)}$	-2.87
$H_{(aq)}^{2+} + 2e \longrightarrow H_{(s)}$	+0.34
$J_{(aq)}^+ + e \longrightarrow J_{(s)}$	-2.71

- (i) Construct an electrochemical cell that will produce the largest emf. (3 marks)
- (ii) Calculate the emf of the cell constructed in (i) above. (2 marks)
- (iii) Why is it **not** advisable to store a solution containing E^+ ions in a container made of H? (2 marks)
5. (a) Describe **one** method that can be used to distinguish between sodium sulphate and sodium hydrogen sulphate. (2 marks)
- (b) Describe how a pure sample of lead (II) sulphate can be prepared in the **laboratory** starting with lead metal. (3 marks)

(c) Study the flow chart below and answer the questions that follow:



i) Write an equation for the reaction in;

I step II;

(1 mark)

II step IV.

(1mark)

(ii) State the observation made in step III. Explain

(2 marks)

(iii) Name another substance that can be used in step V.

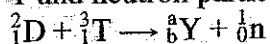
(1 mark)

6. (a) Distinguish between a neutron and a proton.

(1 mark)

- (b) What is meant by a radioactive substance? (1 mark)
- (c) State **two** dangers associated with radioactive substances in the environment. (2 marks)

(d) The two isotopes of hydrogen, deuterium (${}^2_1\text{D}$) and tritium (${}^3_1\text{T}$) react to form element Y and neutron particles, according to the equation below:

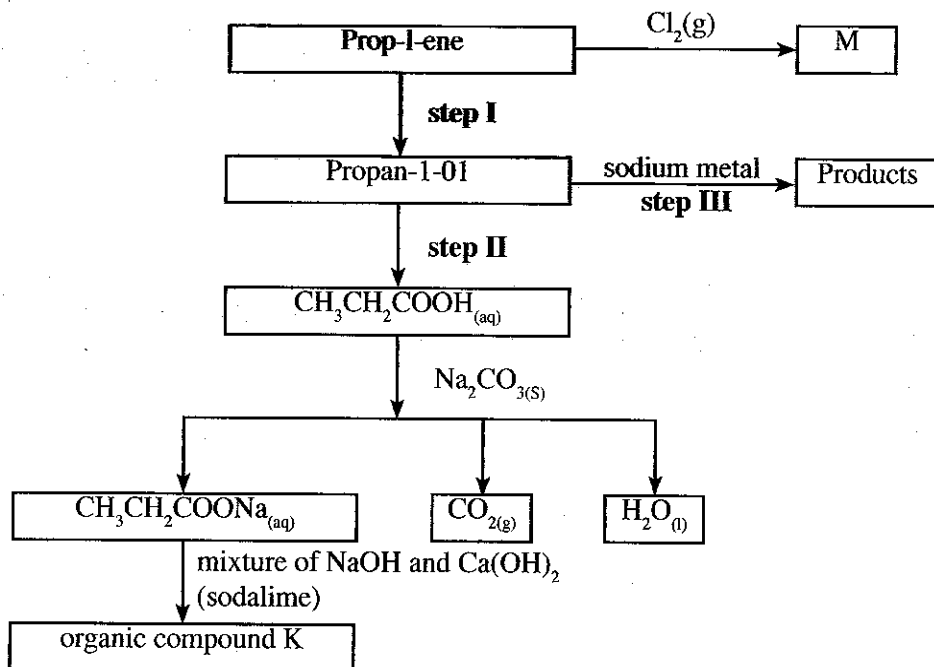


- (i) What is the atomic:
- (I) mass of Y; (1 mark)
- (II) number of Y. (1 mark)
- (ii) What name is given to the type of reaction undergone by the isotopes of hydrogen? (1 mark)
- (e) (i) What is meant by half-life of a radioactive substance? (1 mark)
- (ii) 288g of a radioactive substance decayed to 9g in 40 days. Determine the half-life of the radioactive substance (2 marks)

7 (a) Give the systematic names for the following compounds;

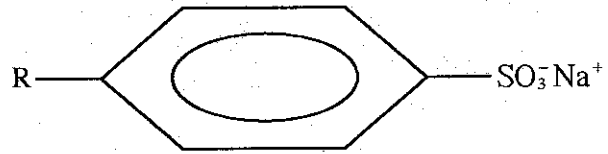
- (i) $\text{CH}_3\text{CH}_2\text{COOH}$;
- (ii) $\text{CH}_3\text{CH}_2\text{CH}_2\text{CHCH}_2$;
- (iii) $\text{CHCCH}_2\text{CH}_3$

Study the flow chart below and use it to answer the questions that follow:



- (i) Identify the organic compound K.
- (ii) Write the formula of M.
- (iii) Give one reagent that can be used in:
- (I) step I; (1 mark)
- (II) step II. (1 mark)
- (iv) Write the equation of the reaction in step III. (1 mark)

(c) The structure below represents a type of a cleansing agent.



Describe how the cleansing agent removes grease from a piece of cloth. (3 marks)

CHEMISTRY PAPER 3 PRACTICAL

1. You are provided with:

- solution **A**, aqueous copper (II) sulphate;
- solid **B**, iron powder;
- 0.02 M acidified potassium manganate (VII), solution C.

You are required to determine the molar heat of displacement of copper by iron.

Procedure I

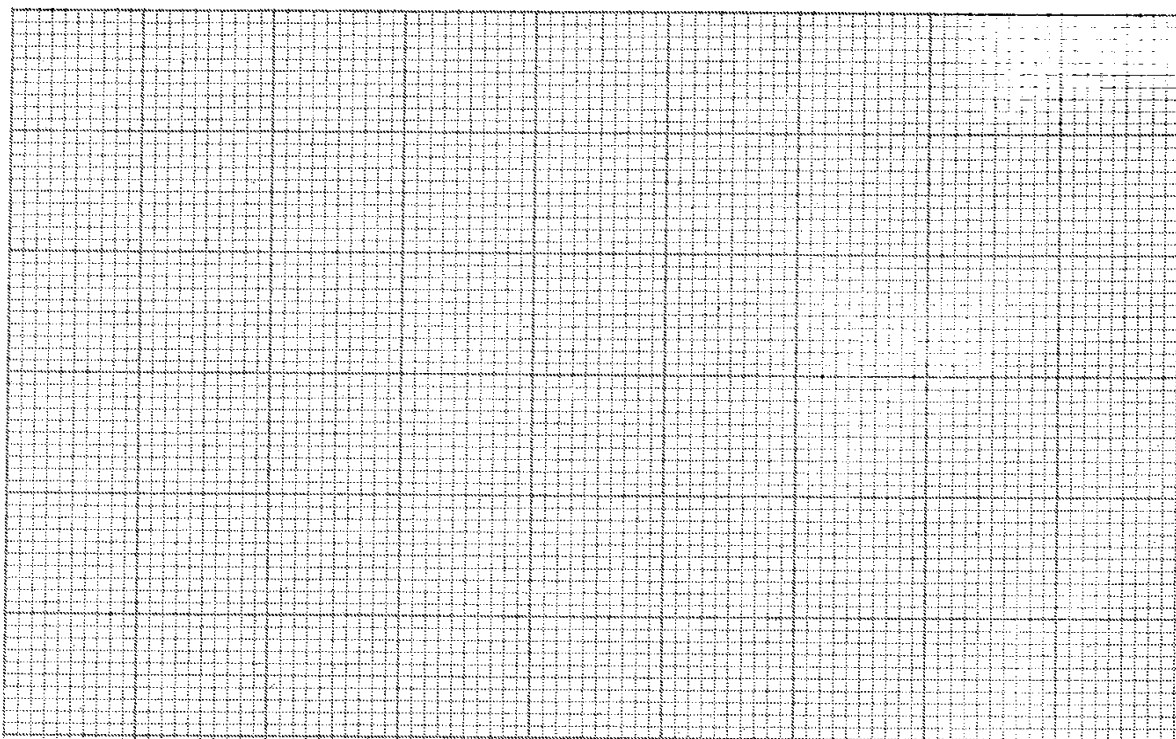
Using a burette, place 50.0 cm³ of solution A in a 100 ml beaker. Measure the temperature of the solution and record it in table 1 below. Add all of solid B provided at once and start a stop watch. Stir the mixture **thoroughly** with the thermometer and record the temperature of the mixture after every one minute in the table. **Retain** the mixture for use in procedure II below.

Table 1

Time(Min.)	0	1	2	3	4	5	6	7
Temperature (°C)								

(3 marks)

- (a) (i) Plot a graph of temperature (vertical axis) against time in the grid provided. (3 marks)



(ii) From the graph ,determine the;

(I) highest change in temperature, ΔT ; (1 mark)

(II) time taken for reaction to be completed. (1/2mark)

(iii) Calculate the heat change for the reaction. (Specific heat capacity of solution is $4.2 \text{ Jg}^{-1} \text{ K}^{-1}$; Density of the solution is 1 gcm^{-3}). (2 marks)

Procedure II

Carefully decant the mixture obtained in procedure I into a 250 ml volumetric flask. Add about 10 cm^3 of distilled water to the residue in the 100 ml beaker. Shake well, allow the mixture to settle and carefully decant into the volumetric flask. **Immediately**, add about 50 cm^3 of 2 M sulphuric (VI) acid to the mixture in the volumetric flask. Add more distilled water to make 250.0 cm^3 of solution. Label this as solution **D**.

Fill a burette with solution C. Using a pipette and a **pipette filler**, place 25.0 cm^3 of solution D into a 250 ml conical flask. Titrate solution **D** against solution **C** until the **first permanent pink** colour is obtained. Record your results in table 2 below. Repeat the titration two more times and complete the table. Retain the remaining solution C for use in question 3.

Table 2

	I	II	III
Final burette reading			
Initial burette reading			
Volume of solution C used (cm^3)			

(4 marks)

(a) Determine the average volume of solution **C** used.
(1/2mark)

(b) Calculate the number of moles of:

(i) aqueous potassium manganate (VII) used; (1 mark)

(ii) iron (II) ions in 25.0 cm^3 of solution **D**. (1 mole of MnO_4^- reacts with 5 moles of Fe^{2+}). (1mark)

(iii) iron(II) ions in 250 cm^3 of solution D. (1 mark)

- (c) Calculate the molar heat of displacement of copper by iron. (2 marks)
2. You are provided with solid **E**. Carry out the following tests and write your observations and inferences in the spaces provided.

(a) Place **all** of solid E in a boiling tube. Add about 10 cm³ of distilled water and shake thoroughly. Filter the mixture into another boiling tube. **Retain** the filtrate for use in test 2(b) below. Dry the residue using pieces of filter papers.

(i) Transfer about half of the dry residue into a dry test-tube. Heat the residue strongly and test any gas produced using a burning splint.

Observations	Inferences
(1 mark)	(1 mark)

ii) Place the rest of the residue in a dry test-tube. Add 4 cm³ of 2M hydrochloric acid. **Retain** the mixture for test (iii) below.

Observations	Inferences
(1 mark)	(1 mark)

(iii) To 2 cm³ of the solution obtained in (ii) above, add 6 cm³ of aqueous ammonia dropwise.

Observations	Inferences
(1 mark)	(1 mark)

(b) To 2 cm³ of the nitrate obtained in (a) above, add about 3 cm³ of aqueous ammonia (Excess).

Observations	Inferences
1 mark)	(1 mark)

(ii) To 2 cm³ of the filtrate, add about 2 cm³ of 2M hydrochloric acid.

Observations	Inferences
(1 mark)	(1 mark)

(iii) To 2 cm³ of the filtrate, add one or two drops of barium nitrate solution.

Observations	Inferences
(1 mark)	(1 mark)

3. You are provided with solid **G**. Carry out the tests in (a) and (b) and write your observations and inferences in the spaces provided. Describe the method used in part (c).

(a) Place about one third of solid **G** on a **metallic** spatula and burn it in a Bunsen burner flame.

Observations	Inferences
(1 mark)	

(b) Dissolve all of the remaining solid **G** in about 10 cm³ of distilled water in a boiling tube. Use the solution for tests (b)(i), (ii) and (c).

(i) Place 2 cm³ of the solution in a test-tube and add 2 drops of acidified potassium manganate (VII); solution C.

Observations	Inferences

(1 mark)

(1 mark)

(ii) To 2 cm³ of the solution, add all of solid sodium hydrogen carbonate provided.

Observations

Inferences

(1 mark)

(1 mark)

(c) Determine the pH of the solution obtained in (b) above.

Method used

Inferences

(2 marks)

(1 mark)
