

Name.....

Index No.....

School.....

Signature.....

Date.....

443/2
AGRICULTURE
PAPER 2
July/August 2010
2 HOUR

BURETI DISTRICT JOINT EVALUATION TEST – 2010
Kenya Certificate of Secondary Education (K.C.S.E)

443/2
AGRICULTURE
PAPER 2
July/August 2010
2 HOURS

INSTRUCTIONS TO CANDIDATES

1. Write your name and index number in the spaces provided.
2. Sign and write the date of examination in the spaces provided above.
3. This paper consists of **three** sections A, B and C. Answer all questions in section A and B.
4. Answer **two** questions from Section C
5. Answer to ALL questions MUST be written in this booklet.

FOR EXAMINER'S USE ONLY

SECTION	QUESTIONS	MAXIMUM SCORE	CANDIDATE'S SCORE
A	1 – 18	30	
B		20	
C		20	
		20	
	TOTAL SCORE	90	

This paper consists of 12 printed pages. Candidates should check the question paper to ensure that all pages are printed as indicated and no questions are missing

SECTION A (30 MARKS)

Answer ALL questions in this section

1. List two sources of farm power which are environmentally friendly (1mk)
.....
.....
2. State two maintenance practices that should be carried out on a feed trough (1mk)
.....
.....
3. Define notifiable diseases (1mk)
.....
.....
4. State four conditions that would encourage hens to eat eggs in poultry production (2mks)
.....
.....
.....
.....
5. Name four components of power transmission system of a tractor (2mks)
.....
.....
.....
.....
6. Distinguish between raddling and tugging (1mk)
.....
.....
7. State four advantages of treating building materials (2mks)
.....
.....
.....
.....

8. State four advantages of artificial calf rearing (2mks)

.....
.....
.....
.....

9. Give a reason as to why each of the following is important in the diet of young animals

i) Phosphorus (1mk)

.....
.....

ii) Vitamin C (1mk)

.....
.....

10. State four reasons why a farmer would choose to use a disc plough rather than a mouldboard plough (2mks)

.....
.....
.....
.....

11. State four construction features necessary in a fish pond (2mks)

.....
.....
.....
.....

12. State three signs of anthrax disease infection observed in the carcass of cattle (1½mks)

.....
.....
.....

13. Give three ways of stimulating milk let down in a dairy cow. (1½mk)

.....
.....
.....
.....

14. State four factors that would contribute to depreciation of farm equipment (2mks)

.....
.....
.....

15. Give four uses of a tractor in the farm (2mks)

.....
.....
.....

16. State one disadvantage of plain wire fence (1mk)

.....
.....

17. State care and maintenance done to a tractor battery. (2mks)

.....
.....
.....
.....

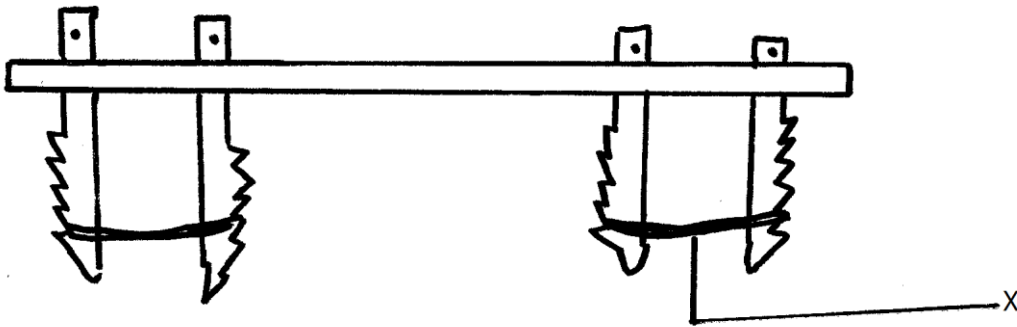
18. State two disadvantages of biogas as a source of power in the farm (2mks)

.....
.....
.....
.....

SECTION B (20 MARKS)

Answer all the questions in this section in the spaces provided.

19. Study the following illustration and use it to answer questions that follow.



a) Name the equipment illustrated above (1mk)

.....
.....

b) What is the use of the equipment (1mk)

.....
.....

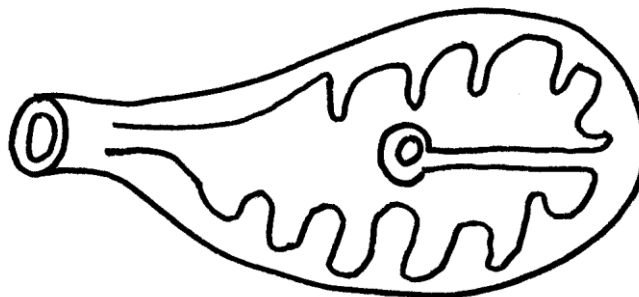
c) Name the part labeled X (1mk)

.....
.....

d) What is the use of the part labeled X (1mk)

.....
.....

20. The following is an illustration of an internal parasite in livestock



a) Identify the parasite (1mk)

.....
.....

b) Name one final host of the parasite (1mk)

.....
.....

c) Name the intermediate host of the parasite (1mk)

.....
.....

d) State four measures used to control the parasite (2mks)

.....
.....
.....

21. a) Explain the following terms as used in expressing feed values.

i) Maintenance ration (1mks)

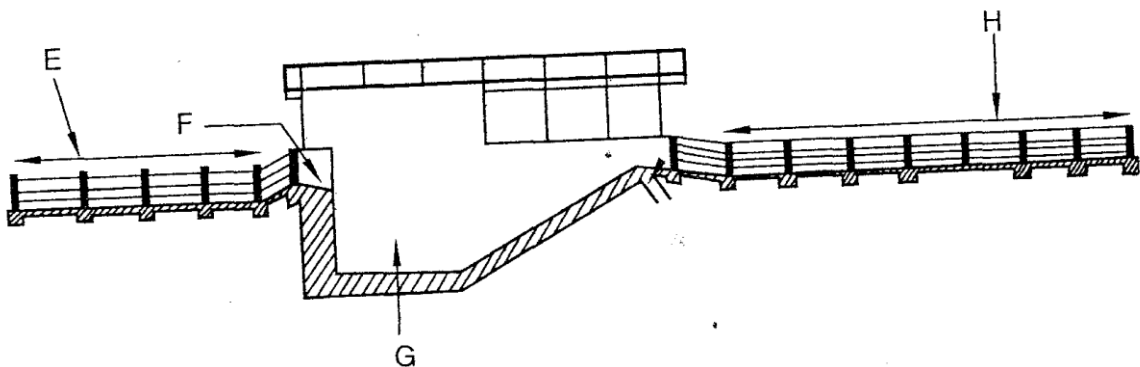
.....
.....

ii) Dry matter (1mk)

.....
.....

b) A farmer wanted to come up with food ration of 1000kg with 28% protein. Available feed stuff were sunflower (38% protein) and hay (2% protein). Calculate the composition of the ratio using pearson's square method. (5mks)

22. The following farm structure is used in livestock management practice. Use it to answer The questions that follow.



a) Identify the structure (1mk)

.....
.....

- b) Label the parts named E to H (2mks)
- E
- F
- G
- H
- c) What is the use of the parts labeled E and H (1mk)
- E
- H

SECTION C (40 MARKS)

Answer any TWO questions in this section in the spaces provided after last question.

23. a) Describe African swine fever disease under the following headlines
- i) Animals affected (1mk)
- ii) Causal organism (1mk)
- iii) Symptoms (4mks)
- iv) Control measures (4mks)
- b) Describe the factors to consider when selecting livestock for breeding (10mks)
24. a) Give the differences between a petrol and diesel engine (10mks)
- b) Describe five essentials of clean milk production (10mks)
25. Describe deep litter system of rearing poultry under the following sub-headings
- a) Requirements (10mks)
- b) Advantages (5mks)
- c) Disadvantages (5mks)

