

Name.....

Index No.

School

443/2

AGRICULTURE

Paper 2

JULY/AUG. 2010

Time: 2 Hours

BORABU-MASABA NORTH DISTRICTS JOINT EVALUATION TEST– 2010
Kenya Certificate of Secondary Education (K.C.S.E)

443/2

AGRICULTURE

Paper 2

JULY/AUG. 2010

Time: 2 Hours

INSTRUCTIONS TO CANDIDATES

- Write your name and index number in the spaces provided.
- This paper consists of three sections A, B & C.
- Answer all the questions in section A and B and any two questions in section C.
- Do not remove any pages in this booklet.

FOR EXAMINER'S USE ONLY

SECTION	QUESTION	SCORE
A	1 – 17	
B	18 - 21	
C	22 - 24	
	TOTAL	

*This paper consists of 12 printed pages.
Candidates should check the question paper to ensure that all pages are printed as indicated
and no questions are missing*

SECTION A (30MKS)
Answer all Questions in this section

1. State **two** distinguishing characteristics of the Earlop rabbit breed (1mk)
.....
.....
.....
2. Define the following terms as used in livestock nutrition?
a) Digestibility (1mk)
.....
.....
.....
- b) Ration (1mk)
.....
.....
.....
3. List **Four** symptoms of parasitic attack on livestock (2mks)
.....
.....
.....
.....
4. State **Four** functions of water in the livestock body (2mks)
.....
.....
.....
.....
5. Distinguish between raddling and ringing as used in livestock production. (2mks)
.....
.....
.....
.....

6. a) List **four** features of a good grain store (2mks)

.....
.....
.....
.....

b) State **two** maintenance practices that should be carried out in a rabbit hutch (1mk)

.....
.....
.....

7. a) State a function for each of the following parts in the chicken digestive system (1 ½)

i) Crop

.....
.....
.....

ii) Proventriculus

.....
.....
.....

iii) Gizzard

.....
.....
.....

b) Name the digestive juice secreted in the stomach of a ruminant animal (½mk)

.....
.....

8. Give **two** advantages of debeaking in poultry. (1mk)

.....
.....
.....

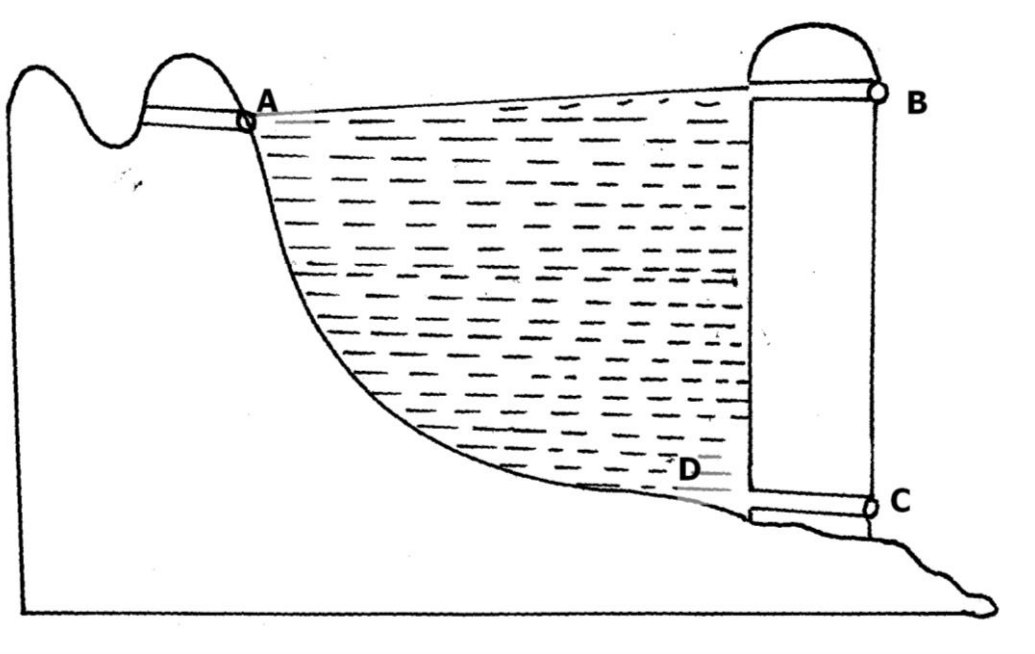
- 9. Give **three** characteristics which enable goats survive in marginal areas (1 ½mks)
.....
.....
.....
.....
- 10. State **four** activities that should be carried out just before milking (2mks)
.....
.....
.....
.....
- 11. Name the most appropriate tool used in each of the following operations
 - a) Removing metal clippings in files (½mk)
.....
 - b) Cutting wood along the grains (½mk)
.....
 - c) Cutting identical marks on ears of an animal (½mk)
.....
- 12. State **four** maintenance practices carried out on a tractor battery (2mks)
.....
.....
.....
.....
- 13. List **four** advantages of tractor hire services (2mks)
.....
.....
.....
.....

14. a) Distinguish between inbreeding and line breeding (1mk)
.....
.....
- b) Give **two** advantages of cross breeding (1mk)
.....
.....
.....
15. Give **four** reasons for maintaining livestock in good health (2mks)
.....
.....
.....
.....
.....
16. Give **two** disadvantages of windmill as a source of farm power (1mk)
.....
.....
.....
17. List **two** advantages of embryo transplants in livestock production (1mk)
.....
.....
.....

SECTION B (20MKS)

Answer all the questions in this section in the spaces provided

18. Below is a diagram of a fish pond. Use it to answer the questions that follow



a) i) Name the parts marked B and C (1mk)

B.....
.....
C.....
.....

ii) Explain why part D is usually deeper than the rest of the pond (1mk)

.....
.....
.....

b) State two maintenance practices carried out on the fish pond (2mks)

.....
.....
.....
.....
.....

c) State **two** benefits derived from fish farming (2mks)

.....

.....

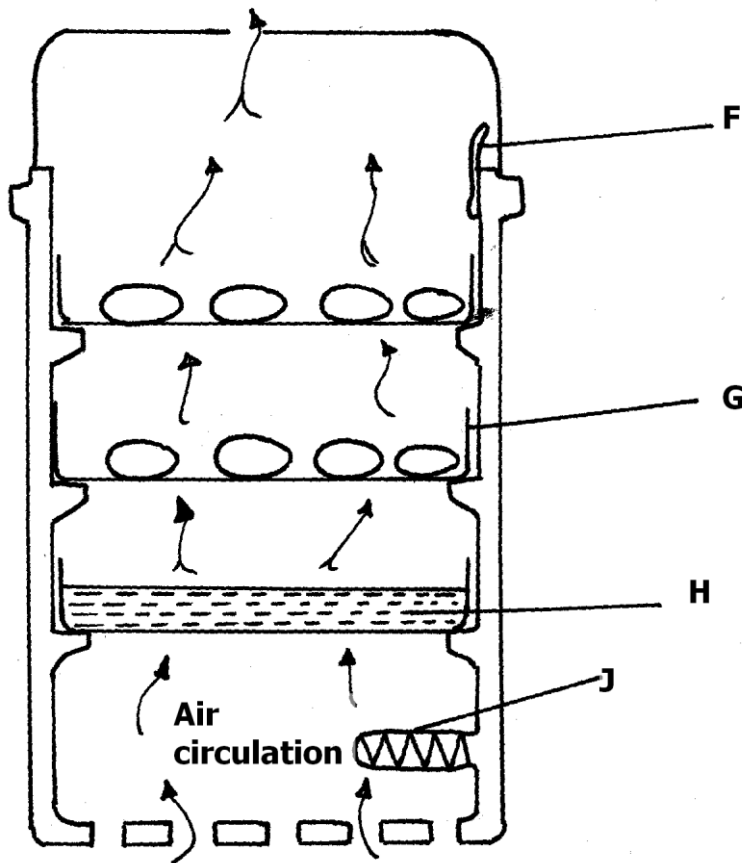
.....

.....

.....

.....

19. Study the farm structure illustrated below and answers the questions that follow



a) Identify the farm structure (½mk)

.....

b) Give **two** disadvantages of the above structure to a small scale farmer (1mk)

.....

.....

c) State the functions of the parts labeled F, G, J (1 ½mks)

F

.....

.....

.....

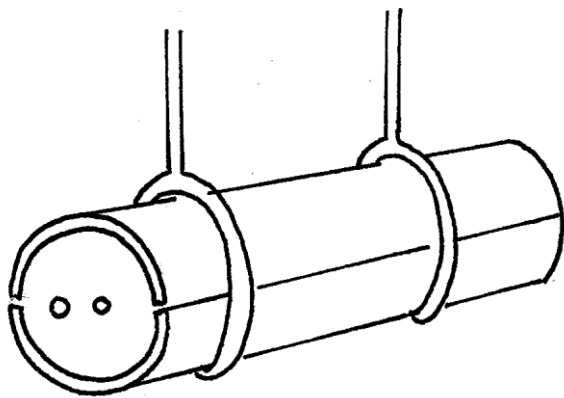
G

.....
.....
.....

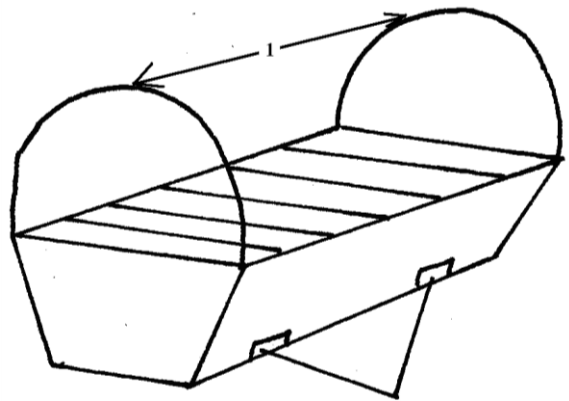
J

.....
.....
.....

20. Diagrams M, N, P and Q show some structures used in apiculture. Use them to answer the Questions that follow.

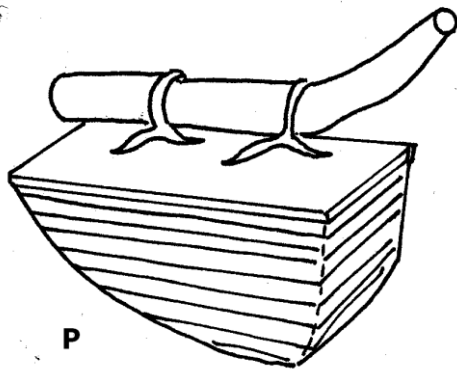


M

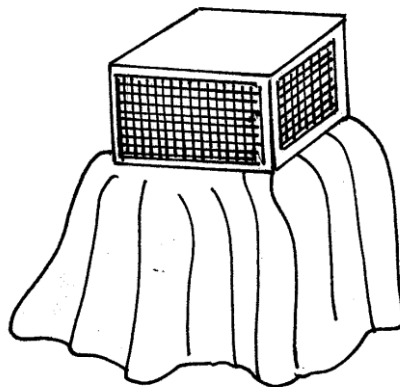


N

2



P



Q

a) Identify the structures labeled M, N, P and Q

(2mks)

M

.....

N

.....

P

.....

Q

.....

b) State the uses of equipments P and Q. (2mks)

P

.....

.....

Q

.....

.....

c) State **two** advantages structures N has over structure M. (2mks)

.....

.....

.....

.....

.....

d) State the uses of the parts labeled 1 and 2 on structure N. (2mks)

1.....

.....

.....

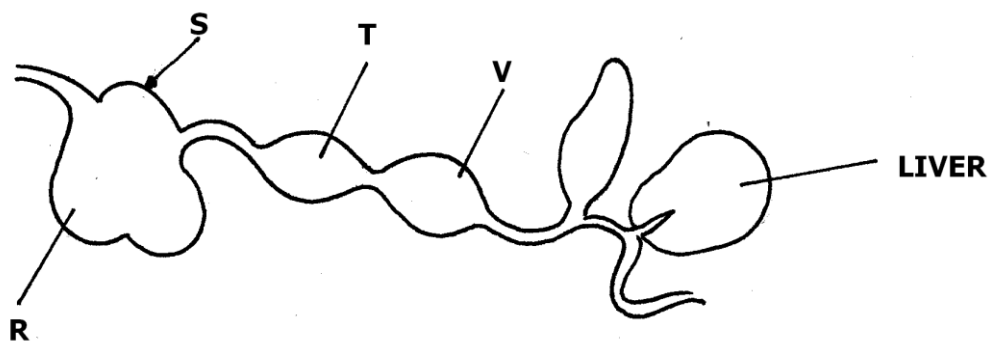
.....

2.....

.....

.....

21. The diagram below illustrates the digestive system system of a ruminant



- a) Identify the parts labeled S and T (2mks)
 S.....
 T.....
- b) Name any **two** digestive processes taking place at the marked R (1mk)

- c) Name **two** enzymes secreted in the part labeled V (1mk)

SECTION C (40mks)

Answer any two questions in this section in the spaces provided at the end of the section

22. a) Explain the limitations of tractor power in farm mechanism (7mks)
 b) Describe factors considered in the selection of construction materials on the farm (7mks)
 c) Differentiate between a diesel Engine and a petrol Engine (6mks)
23. a) Describe milk fever under the following sub – headings
 i) Cause (1mk)
 ii) Symptoms (4mks)
 iii) Control (3mks)
 b) Discuss **six** ways of controlling livestock diseases in the farm (12mks)
24. (a) Explain the operational differences between a disc plough and a mould board plough. (6mks)
 (b) Explain the factors one would consider to ensure fast and effective cultivation by oxen. (8mks)
 (c) Outline the use of fences on the farm. (6mks)

A series of approximately 30 horizontal dotted lines spanning the width of the page, providing a guide for writing.

.....
.....
.....
.....
.....
.....
.....
.....
.....
.....
.....
.....
.....
.....
.....
.....
.....
.....
.....
.....
.....
.....
.....
.....
.....
.....
.....
.....
.....
.....
.....
.....
.....
.....
.....
.....
.....
.....
.....
.....
.....
.....
.....
.....
.....
.....
.....
.....
.....