

NAME.....INDEX.....DATE.....  
SCHOOL.....SIGNATURE.....

443/2

AGRICULTURE

PAPER TWO

JULY / AUGUST 2010

2 ½ HOURS

**BELGUT / AINAMOI JOINT EVALUATION EXAMS  
KENYA CERTIFICATE OF SECONDARY EDUCATION (2010)**

443/2

AGRICULTURE

JULY/ AUGUST

**INSTRUCTION TO CANDIDATES**

- ❖ This paper consists of section A, B, and C
- ❖ Answer all the questions in Sections A & B
- ❖ Answers should be written in the spaces provided
- ❖ Candidates should check the question paper to ascertain that all pages are printed as indicated and that no questions are missing.

**For examiners use only**

Section	Question	Max. score	Candidates score
A	1- 16	30	
B	17 -20	20	
	21	20	
	22	20	
	23	20	
	<b>Total Score</b>		110

**SECTION A: 30 mks. *Answer ALL the questions in this section***

1. State the factors that influence the quality of bricks (2mks)

.....  
.....  
.....  
.....  
.....  
.....  
.....

2. Give four functions of vitamins in livestock production (2mks)

.....  
.....  
.....  
.....  
.....  
.....  
.....

3. What is the functional difference between a cold chisel and a wood chisel (2mks)

.....  
.....  
.....  
.....  
.....  
.....

4. Give two signs that would indicate a cow has died of anthrax (1mk)

.....  
.....  
.....

5. Distinguish between inbreeding and out crossing in livestock production (2mks)

.....  
.....  
.....

6. Give two reasons for steaming up in dairy cattle management (2 mks)

.....  
.....  
.....  
.....  
.....  
.....

7. Give two functions of drones in a bee colony. (2mks)

.....  
.....  
.....  
.....

8. Name the breed of goat which is brown with strips running down the face to the nose (1mk)

.....  
.....

9. Give four reasons of dim lighting in a deep litter house in poultry production (2mks)

.....  
.....  
.....  
.....  
.....  
.....

10. Give three problems associated with lambing (3mks)

.....  
.....  
.....  
.....  
.....

11. Give two feeding characteristics of goats which make them less vulnerable to internal parasites (2mks)

.....  
.....  
.....  
.....

12. State three maintenance practices carried out on a milking machine (1 ½ mks)

.....  
.....  
.....  
.....

13. Why is it necessary to weigh and record the birth weights of piglets after birth?

Give two answers (1 mk)

.....  
.....  
.....  
.....  
.....

14. Give three methods that a farmer can employ to ensure maximum power output from a donkey carrying luggages. (3mks)

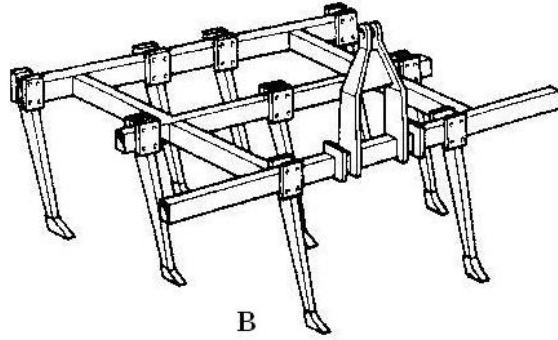
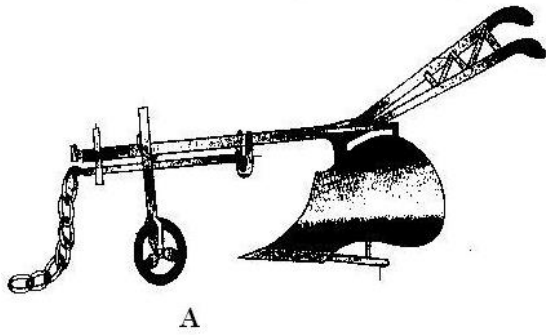
.....  
.....  
.....  
.....

15. State four major qualities of wool. (2mks)

.....  
.....  
.....  
.....  
.....



18. Study the diagrams below and answer the questions that follow.



a) Identify the implements in diagram A & B (2mks)

A.....

B.....

b) Give one function of implements A & B (2mks)

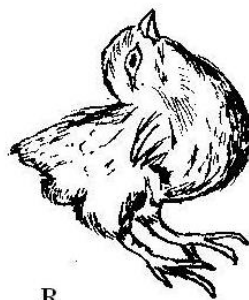
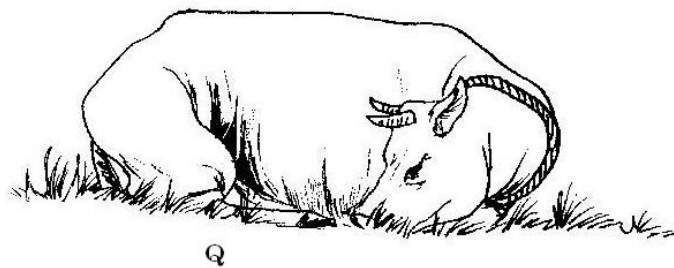
A.....

B.....

c) List two maintenances of implement A. (2mks)

.....  
.....  
.....  
.....

19. Diagram Q & R below illustrated livestock deficiency diseases, study the diagrams and answer the questions that follow.



a) i) Identify the cause of conditions in Q and R (2mks)

Q.....

R.....

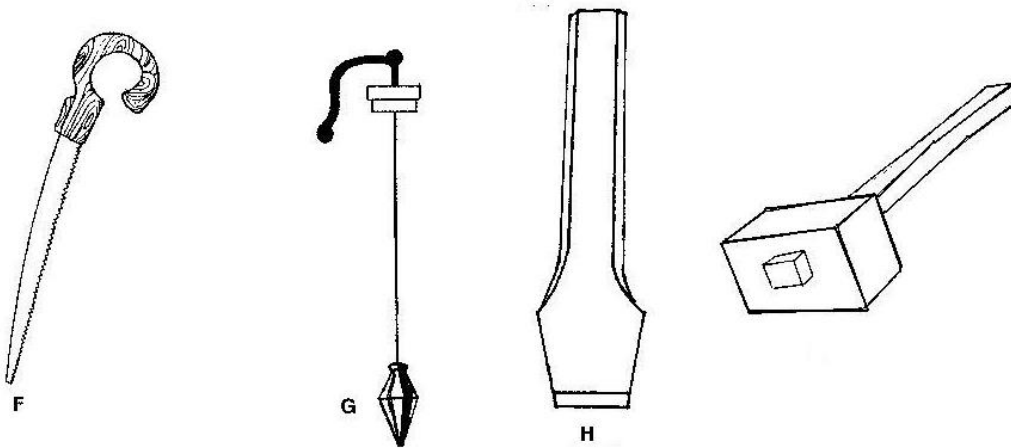
ii) Name the deficient nutrients in Q & R. (2mks)

Q.....

R.....

b) Calculate how much of wheat (10% D.C.P) would be mixed with sunflower feed cake (35% D.C.P) to come up with duck mash 20% D.C.P (3mks)

20. The diagram below shows a farm equipments .Study it and answer the questions



a) Name the tools illustrated in F, G ,H,J









