

Name..... Index No.....
 School..... Candidate's sign.....
 Date.....

443/2
 AGRICULTURE
 Paper 2
 July/August 2010
 2 Hours

MANGA DISTRICT JOINT EVALUATION TEST – 2010
Kenya Certificate of Secondary Education (K.C.S.E)

443/2
 AGRICULTURE
 Paper 2
 July/August 2010
 2 Hours

Instructions to candidates.

1. Write your name and index number in the spaces provided above
2. Sign and write the date of examination in the spaces provided above
3. This paper consists of three sections: A, B and C
4. Answer all the questions in section A and B in the spaces provided
5. Answer ANY TWO questions in section C in the spaces provided in this booklet
6. Answers to all questions must be written in this booklet

FOR EXAMINER'S USE ONLY.

SECTION	QUESTION	MAXIMUM SCORE	CANDIDATES SCORE
A	1 – 17	30	
B	18 – 23	20	
C		20	
		20	
TOTAL SCORE		80	

This paper consists of 12 printed pages. Candidates should check the question paper to ensure that all the pages are printed as indicated and no questions are missing.

SECTION A (30 MARKS)

Answer ALL questions in this section in the spaces provided

1. (a) Name the hormone that is concerned with milk synthesis (½mk)

.....
.....

- (b) State three factors that make a lactating cow to withhold milk during milking time(1½mk)

.....
.....
.....
.....

2. Distinguish between crutching and ringing on sheep production (1mk)

.....
.....
.....
.....

3. State two reasons for spreading damp proof course (PVC) on farm building (1mk)

.....
.....
.....
.....

4. Give two dehorning equipment (1mk)

.....
.....

5. (a) State two advantages of solar power (1mk)

.....
.....

- (b) Give two types of air cleaners used in a tractor engine (1mk)

.....
.....
.....
.....

6. List four qualities of good wool (2mks)

.....
.....
.....
.....
.....

7. (a) What is a zoonotic disease (1/2mk)

.....
.....

(b) Give two examples of zoonotic diseases (1mk)

.....
.....

8. State two reasons to explain the importance of ventilation in a poultry house (2mks)

.....
.....
.....
.....

9. State three methods of controlling tsetse flies in Kenya (1 1/2mk)

.....
.....
.....
.....
.....

10. List four post milking practices (2mks)

.....
.....
.....
.....

11. Name a tractor mounted implement suitable for cultivating a field with obstacles like roots (1/2mk)

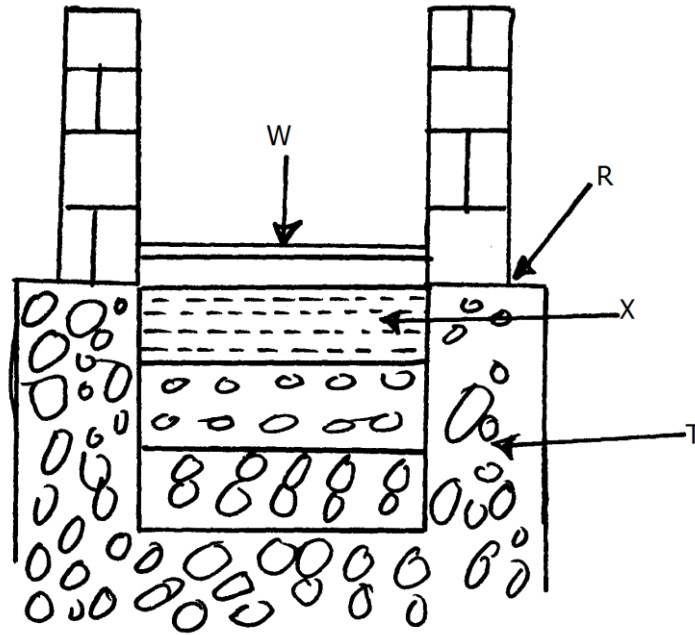
.....
.....

12. (a) Name the two types of mowers used in a farm (1mk)
.....
.....
- (b) State four maintenance practices offered to mowers (2mks)
.....
.....
.....
.....
13. Give any four systems of a tractor (2mks)
.....
.....
.....
.....
14. Give two methods of increasing ploughing depths of a disc plough (2mks)
.....
.....
.....
.....
15. State three functions of a carburettor in a petrol engine (3mks)
.....
.....
.....
.....
16. State four safety measures taken when using workshop tools to prevent injury (2mks)
.....
.....
.....
17. State two reasons why livestock production is important to a small scale farmer (1mk)
.....
.....

SECTION B (20MARKS)

Answer all questions in the spaces provided

18. Study the illustration below of a hard floor foundation of a farm structure



(a) Name the parts labelled (2mks)

R.....

T.....

X.....

W.....

(b) State three advantages of concrete floors (1½mk)

-
-
-
-
-
-

19. Study the illustration of power transmission system of tractor

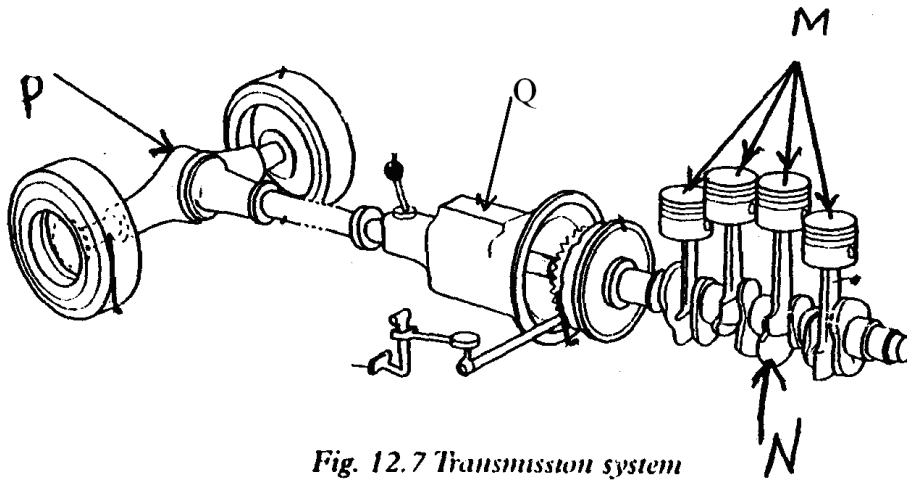


Fig. 12.7 Transmission system

(a) Identify and name the parts labelled (1½mk)

M –

N –

P –

(b) State three functions of part Q (3mks)

.....

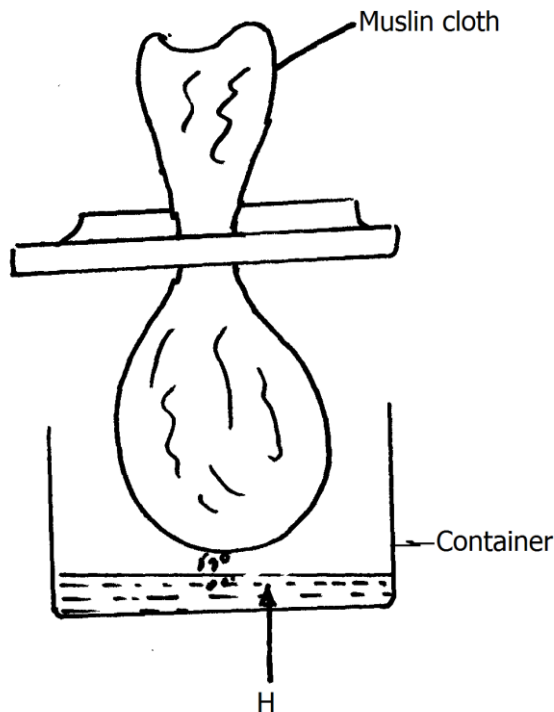
.....

.....

.....

.....

20. Study the diagram below showing a method of honey extraction



(a) Identify the method of extraction illustrated above (1mk)

.....
.....

(b) State four factors which affect the quality of production H (2mks)

.....
.....
.....
.....

21. State three reasons for flushing in sheep management (3mks)

.....
.....
.....
.....
.....
.....

22. Prepare 100kg of pig ration containing 20% DCP using cereal balancer 10% DCP and cotton seed cake 30% DCP. Show your working (4mks)

.....
.....
.....
.....
.....
.....

23. Give two functions of calcium in dairy cattle (2mks)

.....
.....
.....
.....

SECTION C (40MARKS)

Answer ANY TWO questions in this section in the spaces provided

24. (a) Describe the fuel system of a petrol engine from the fuel tank till power is developed (10mks)
- (b) Explain the advantages of a four stroke engine (10mk)
25. Discuss the management of layers from day one old up to the point of laying in a deep litter system (20mks)
26. (a) Give five predisposing factors of livestock diseases (5mks)
- (b) Describe five factors considered when siting a cattle dip (10mks)
- (c) Outline five maintenance practices carried out on a plunge dip (5mks)

.....
.....
.....
.....
.....
.....
.....
.....
.....
.....
.....
.....
.....
.....
.....
.....
.....
.....
.....
.....
.....
.....
.....
.....
.....
.....
.....
.....
.....
.....
.....
.....
.....
.....
.....
.....
.....
.....
.....
.....
.....
.....
.....
.....
.....

.....
.....
.....
.....
.....
.....
.....
.....
.....
.....
.....
.....
.....
.....
.....
.....
.....
.....
.....
.....
.....
.....
.....
.....
.....
.....
.....
.....
.....
.....
.....
.....
.....
.....
.....
.....
.....
.....
.....
.....
.....
.....
.....
.....
.....
.....
.....
.....
.....
.....
.....
.....
.....
.....
.....
.....
.....
.....
.....
.....