

Name..... Index No.....

Candidate's Signature ..... Date.....

443/ 2  
AGRICULTURE  
PAPER 2  
JULY/ AUGUST 2009  
TIME: 2 HOURS

**KIRIMA JOINT EVALUATION TEST - 2009**  
*Kenya Certificate of Secondary Education (K.C.S.E)*

443/ 2  
AGRICULTURE  
PAPER 2  
JULY/ AUGUST 2009  
TIME: 2 HOURS

**INSTRUCTIONS**

- Write your name and Index No. on the spaces given above
- This paper has three sections **A**, **B** & **C**.
- Answer **ALL** questions in section **A** & **B**.
- Answer any **Two** questions in section **C** in the spaces provided.

**FOR EXAMINER'S USE ONLY**

SECTION	QUESTION	MAX. SCORE	CANDIDATE'S SCORE
<b>A</b>	1 – 19	<b>30</b>	
<b>B</b>	20 – 23	<b>20</b>	
<b>C</b>		<b>20</b>	
		<b>20</b>	
	<b>TOTAL SCORE</b>	<b>90</b>	

*This paper consists of 12 printed pages .Candidates should check the question paper to  
Ensure that all the pages are printed as indicated and no questions are missing*

**SECTION A (30 marks)**

*Answer ALL the questions in this section in the spaces provided.*

- 1** State **three** ways used to improve production of Indigenous cattle. (1½ marks)  
.....  
.....  
.....
- 2** List **four** factors considered when formulating a livestock ration. (2 marks)  
.....  
.....  
.....  
.....
- 3** List **two** methods of identification in pigs. (1 mark)  
.....  
.....
- 4** Give **two** reasons why walls of dairy shed should be white washed instead of painting with oil paints. (1 mark)  
.....  
.....
- 5** Give **two** reasons for applying oil and grease on a rotary mower. (1 mark)  
.....  
.....
- 6** Differentiate between cropping and harvesting in fish farming. (1 mark)  
.....  
.....
- 7** (a) Name **two** common diseases that attack bees in a colony. (1 mark)  
.....  
.....
- (b) Name the equipment used to make bees less aggressive during harvesting of honey. (½ mark)  
.....
- 8** (a) Give **two** functions of albumen in an egg. (1 mark)  
.....
- (b) What leads to double yolk in egg formation. (½ mark)  
.....

9 Name two livestock diseases controlled through A.I. (1 mark)

.....  
.....

10 (a) List **two** types of feed additives. (1 mark)

.....  
.....

(b) Give **two** reasons why it is important to include additives in commercial feeds. (1 mark)

.....  
.....

11 Name **four** symptoms of Gumboro disease. (2 marks)

.....  
.....  
.....  
.....

12 Name **four** light breeds of poultry. (2 marks)

.....  
.....  
.....  
.....

13 Give **two** methods of harnessing tractor power. (1 mark)

.....  
.....

14 Give **four** factors which affect digestibility in livestock. (2 marks)

.....  
.....

15 State **four** practices through which a farmer would ensure that no engine knock occurs in a tractor. (2 marks)

.....  
.....

16 (a) State **two** limitations of human power as a source of power in the farm. (1 mark)

.....  
.....

(b) List **two** advantages of using biogas as a source of power in the farm. (1 mark)

.....  
.....

17 List **four** tools used in laying concrete blocks. (2 marks)

.....  
.....  
.....  
.....

18 List **four** functions of the rumen in the digestion of feed in ruminants. (2 marks)

.....  
.....  
.....  
.....

19 State **one** use of each of the following farm tools.

(a) Mason's trowel. (1/2 mark)

.....

(b) A pair of tins snips. (1/2 mark)

.....

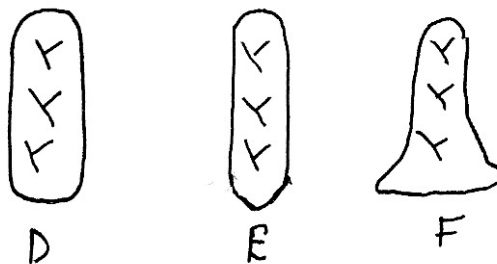
(c) Pipe wrench. (1/2 mark)

.....

**SECTION B (20 marks)**

Answer **ALL** the questions in this section in the spaces provided.

20 The diagram **D**, **E** and **F** below represent different conditions of the tyres.



(a) Which diagram represents the correct pressure in a tractor tyre. (1 mark)

.....  
.....

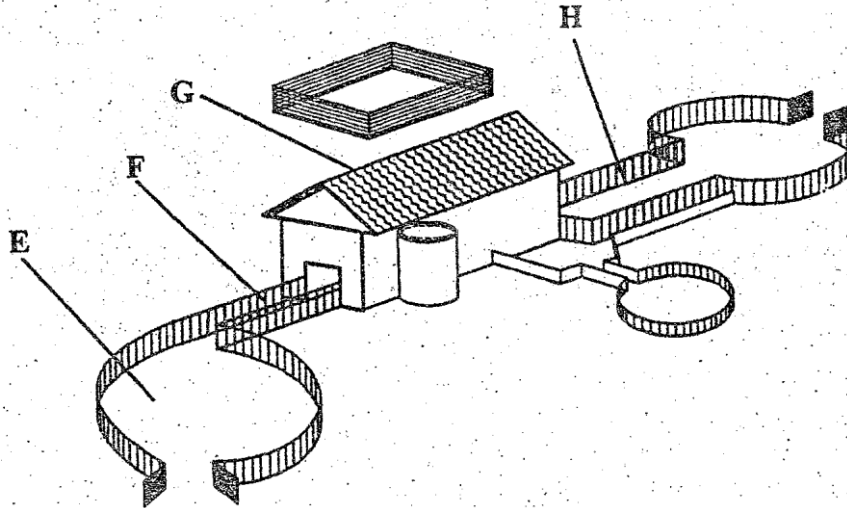
(b) (i) Identify the mistakes with the other tyres. (1 mark)

.....  
.....

(ii) Give the correct measure for each tyre mentioned in b (i) above. (1 mark)

.....

21 Study the diagram drawn below and answer the questions that follow.



(i) Name the parts labeled **E** and **F**. (1 mark)

**E**.....

**F**.....

(ii) State two importance of part **G**. (2 marks)

.....  
.....  
.....

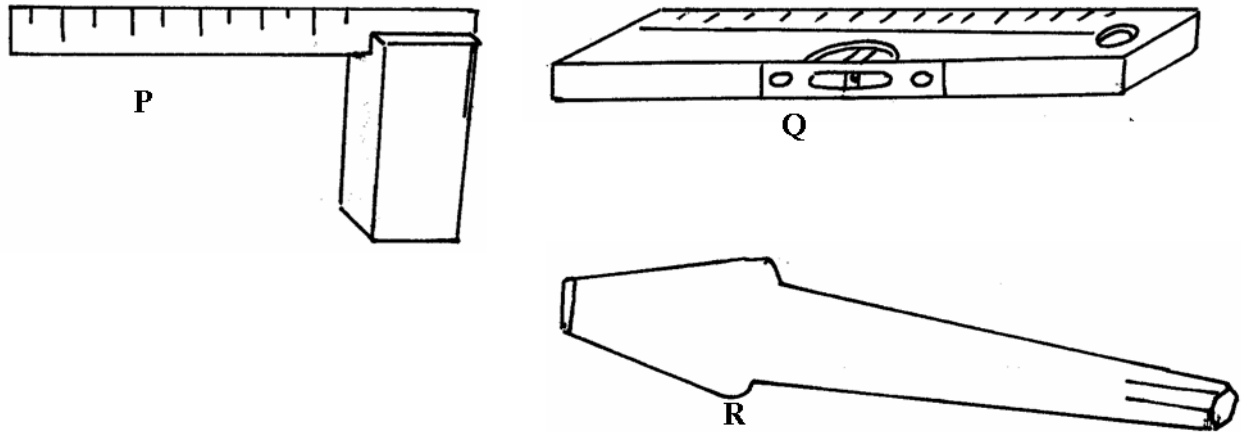
(iii) Give two reasons for holding animals for a short period in part **H** after dipping. (2 marks)

.....  
.....  
.....

(iv) Outline three precautionary measures to be taken before dipping to ensure effective dipping. (3 marks)

.....  
.....  
.....  
.....  
.....

22 Study the tools below and answer the questions that follow.



(a) Identify the tools drawn above. (3 marks)

P .....

Q .....

R .....

(b) What are the functions of tools P and Q.

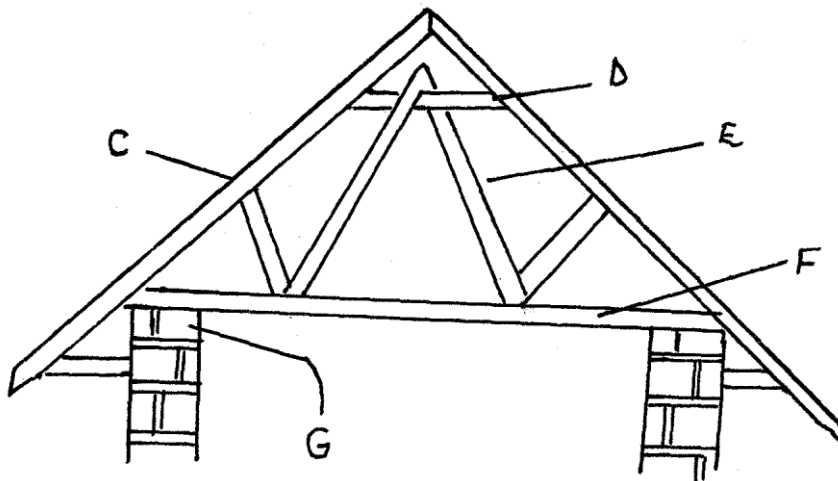
P (1 mark)

.....

Q (1 mark)

.....

23 Study the diagram of the farm structure below and answer the questions that follow.



(a) Identify the structure drawn above. (1 mark)

(b) Name the parts labeled C, D & E. (3 marks)

C .....

D .....

E .....

**SECTION C (40 marks)**

*Answer any **TWO** questions from this section in the spaces provided.*

**24** (a) Discuss the disease trypanosomiasis under the following sub – headings: (2 marks)

(i) Causal organism and animal attacked. (2 marks)

.....  
.....  
.....

(ii) Mode of transmission (1 marks)

.....  
.....  
.....

(iii) Symptoms (2 marks)

.....  
.....  
.....  
.....

(iv) Control (3 marks)

.....  
.....  
.....

(b) Explain the measures used in controlling diseases in livestock. (12 marks)

.....  
.....  
.....  
.....  
.....  
.....  
.....  
.....  
.....  
.....  
.....  
.....  
.....  
.....  
.....  
.....  
.....  
.....  
.....  
.....  
.....  
.....  
.....  
.....  
.....  
.....  
.....  
.....  
.....  
.....  
.....  
.....  
.....  
.....  
.....  
.....  
.....  
.....  
.....  
.....  
.....

25 (a) Describe the procedure of hand milking in a dairy cow. (12 marks)

.....  
.....  
.....  
.....  
.....  
.....  
.....  
.....  
.....  
.....  
.....  
.....  
.....  
.....  
.....  
.....  
.....  
.....  
.....  
.....  
.....

(b) Explain the practices observed in clean milk production. (8 marks)

.....  
.....  
.....  
.....  
.....  
.....  
.....  
.....  
.....  
.....  
.....  
.....  
.....  
.....  
.....  
.....



26 (a) Give the differences between a petrol engine and a diesel engine. (10 marks)

.....

.....

.....

.....

.....

.....

.....

.....

.....

.....

.....

.....

.....

.....

.....

.....

.....

.....

.....

.....

.....

.....

.....

.....

(b) Describe the functions of a lubricant in a tractor. (10 marks)

.....

.....

.....

.....

.....

.....

.....

.....

.....

.....

.....

.....

.....

.....

.....

.....

.....

.....

.....

.....

.....

.....





.....

**END**